

### ■ SUMMARY

CTU20 and CTU10 are separate type CT enabling to cut installation labor cost comparing with use of usual transformer. Especially, this transformer can make installation without cut of wiring for existing equipment.

### ■ CHARACTERISTIC SPECIFICATIONS

Primary Current : 200A rms (CTU20)  
 100A rms (CTU10)  
 50/60Hz

Secondary Current : 1A rms

Rating Load : 0.5VA

Accuracy/Linearity :  $\pm 1.0\%$  within FS

Circuit Voltage : Within 500V AC

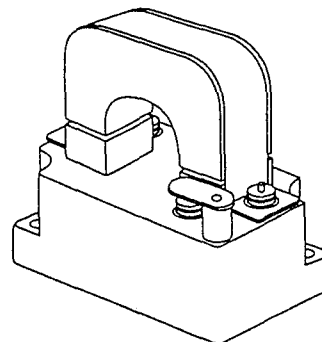
Insulation Resistance :  
 More than 100M $\Omega$  (at 500V DC)  
 (Between core~output terminal)

Withstand Voltage :  
 2000V AC (for 1 minute)  
 (Between core~output terminal)

Temperature Range :  
 -20 $^{\circ}$ C~50 $^{\circ}$ C no condensation

Using Conditions :  
 Indoor location/installation direction free

Weight : Abt. 300g



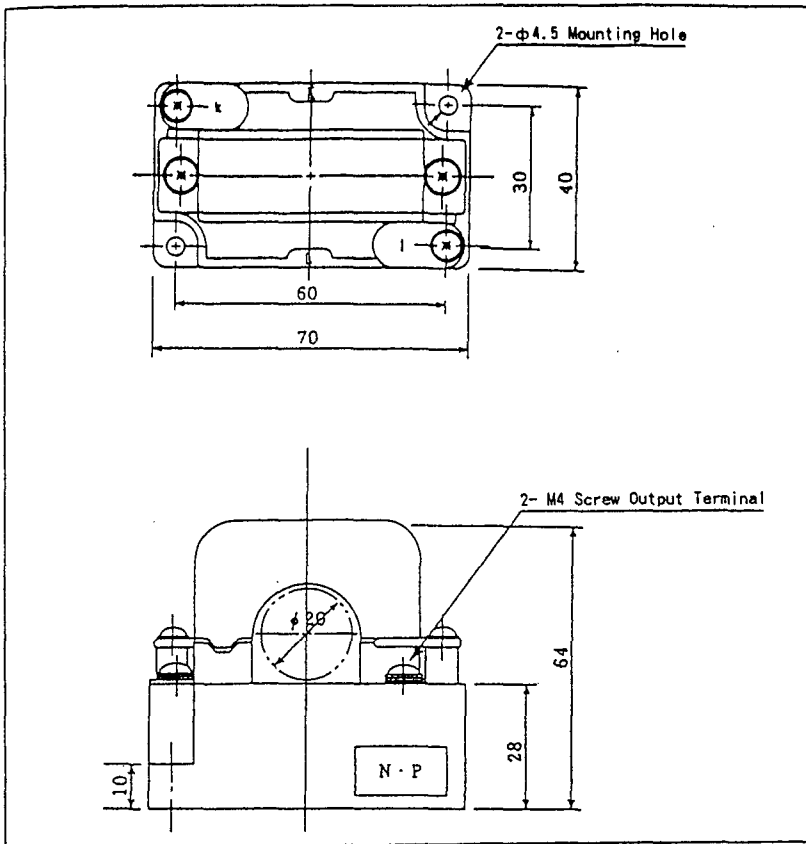
### ■ TYPE

Type	Standard Code	Specifications
CTU20	_____	Separate type Transformer 200A/1A
CTU10	_____	Separate type Transformer 100A/1A

### ■ ORDERING INFORMATION

1. Type CTU20 or CTU10

■ EXTERNAL DIMENSIONS



- Case : PBT Plastic (UL94V-0)
- Bobbin : PBT Plastic (UL94V-0)
- Magnetic Path Material :  
Grain-oriented Magnetic Steel Sheet
- Winding : Polyurethane Wire
- Filler : Black Epoxy Resin
- Clamp Band : SPC (nickel plating)
- Output Terminal : BSR (nickel plating)  
M4 Screw

**CAUTION**

- For safety use of this transformer, be cautious for handling before and after installation.
- Do not install this transformer ON power line during secondary side is OPEN which may cause burning.  
To make secondary side open, check to see power line OFF or remove separate portion.
- After wiring, do not touch screw terminal and U type portion.

Subject to change without notice for grade up quality and performance